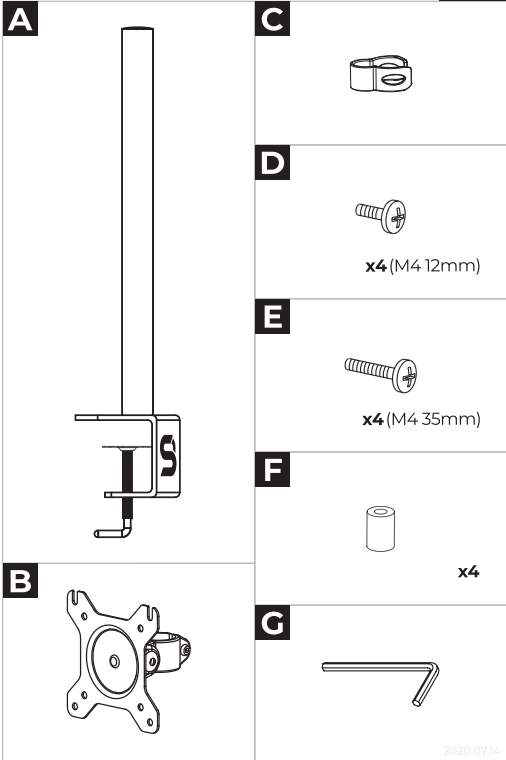




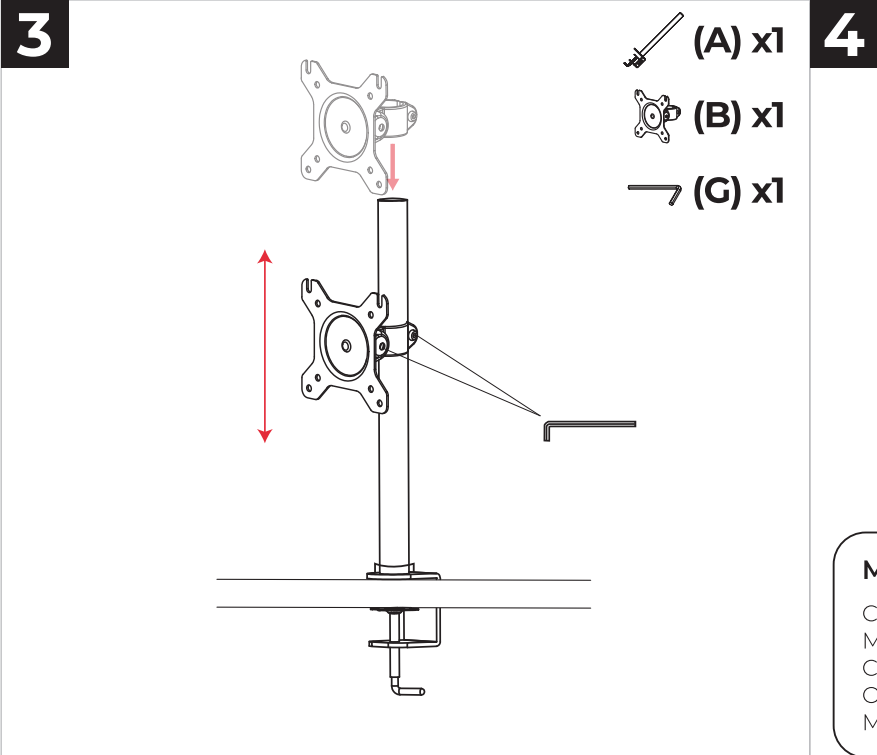
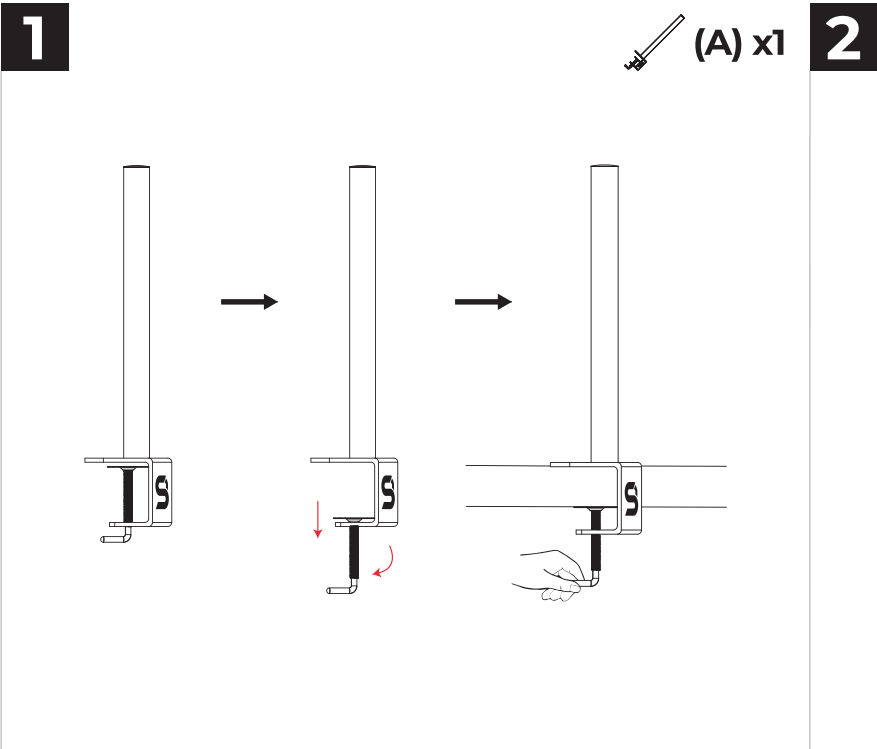
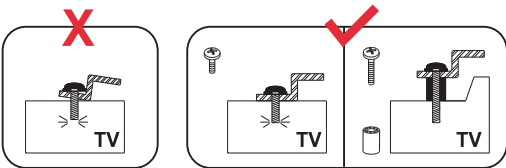
SPC
GEAR

SPG093



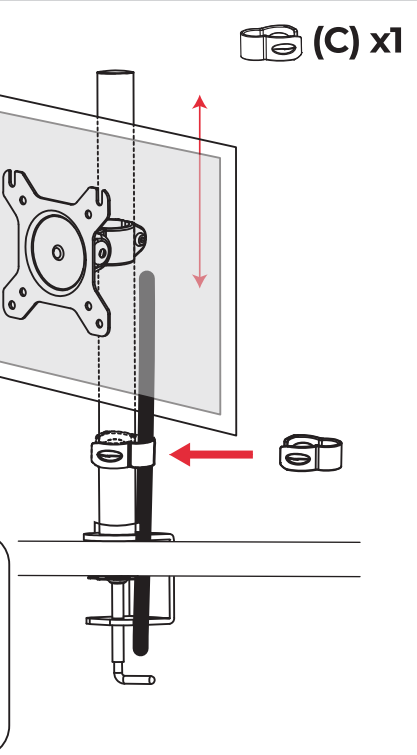
ATLAS100

- ▲ DISPLAY SIZE 13-27"
- ▲ TILT ADJUSTMENT -35/+35°
- ▲ VESA MOUNTING 75×75 / 100×100



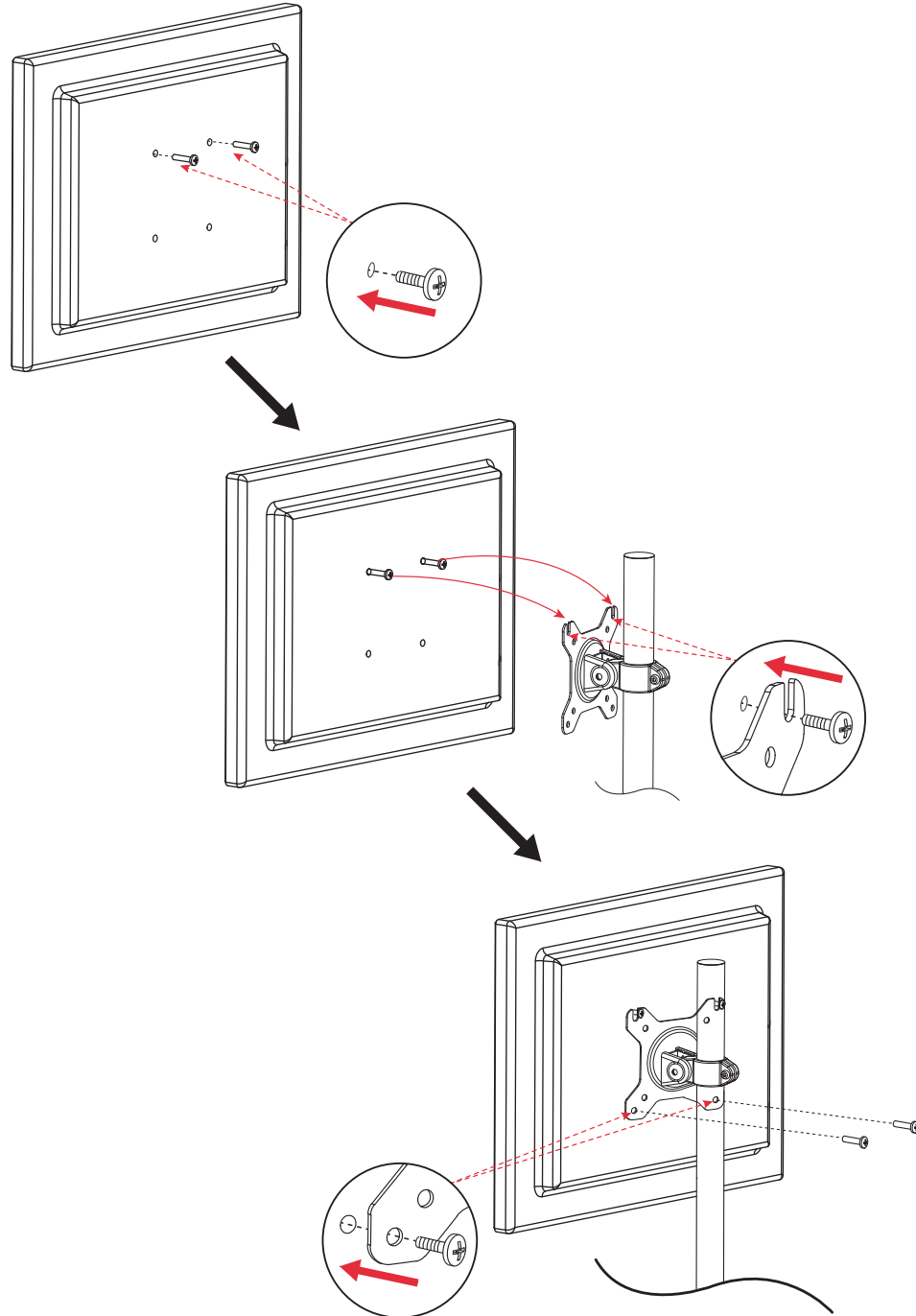
MAX DISPLAY WEIGHT

CAUTION: DO NOT EXCEED MAXIMUM LISTED WEIGHT CAPACITY. SERIOUS INJURY OR PROPERTY DAMAGE MAY OCCUR.



5 MOUNTING (OPTION A)

⚙️ (D) x4



6 MOUNTING (OPTION B)

⚙️ (E) x4

🔩 (F) x4

